

QBS570 WH

## Zadora (fixed)

Recessed fixed downlights for MASTER Line 35 mm, MASTER Line ES dichroic halogen lamps with beams of 8°, 24°, 36° and 60°, and Twistline Alu lamps. Available in white, chrome, gold, brushed aluminium, black, matt satin, metal grey and black nickel.

Ready-to-install kit versions (downlight, lamp, transformer) available for 12 V/50 W MASTER Line lamps in electromagnetic Class I, Class II, and HF Class II. Kit range also includes a 230 V Twistline ALU version. Kits available in white, chrome, gold, and brushed aluminium.

## Applications

- Office spaces
- Small independent food/non-food shops
- High-end fashion shops, boutiques

## Technical description

- Power supply: 12 V or 230 V (Twistline Alu)
- Lamp position: vertical
- Lamp socket:
  - GU5.3: MASTER Line ES
  - GU4: MASTER Line 35 mm
  - GZ10: Twistline Alu
- Material: die-cast aluminium

## Installation

Cut-out:

- Ø 48 mm QBS566
- Ø 64 mm QBS570
- Ø 65 mm QBS651
- Ø 66 mm QBS560
- Ø 70 mm QBS230.

Thickness of false-ceiling:

- 1 to 18 mm QBS570
- 1 to 25 mm QBS566/QBS560/QBS230/QBS651.

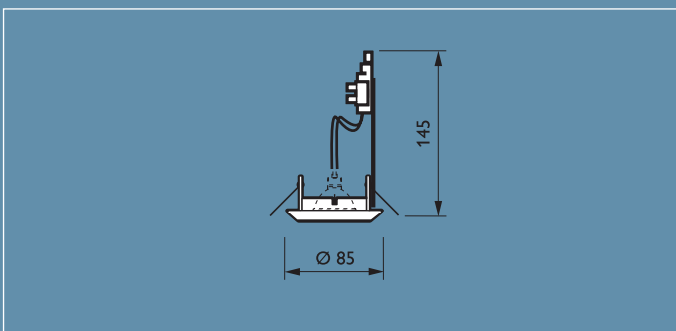
Method: springs.

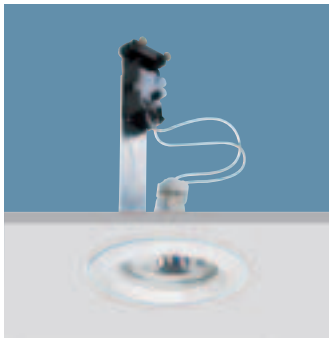
Safety distance: 0.5 m.

Maintenance: direct lamp access (front clip).



Dimensions in mm

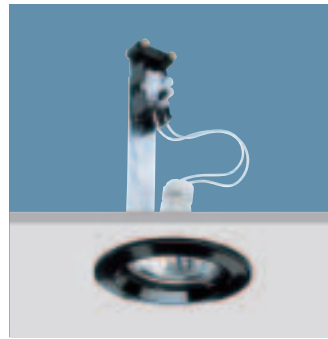




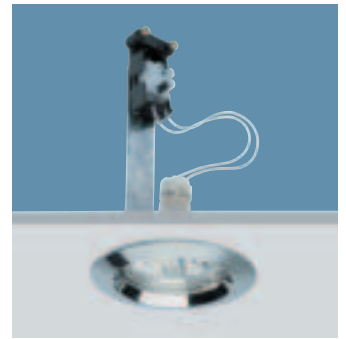
QBS570 WH



QBS570 ALU



QBS570 BK



QBS570 CR

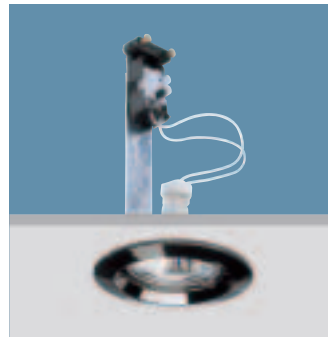


QBS570 MAT

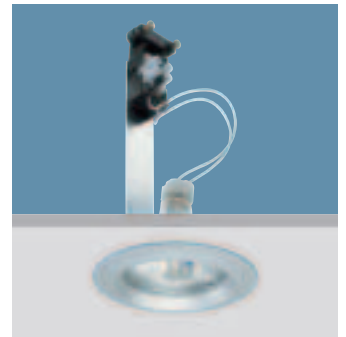


QBS570 GO

Dimensions in mm



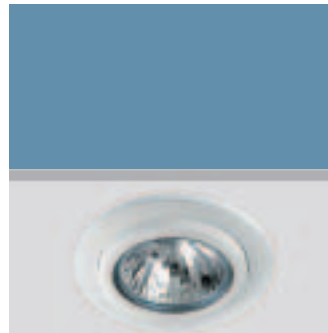
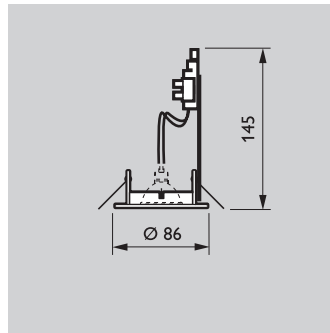
QBS570 ANT



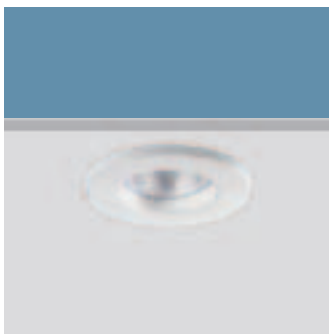
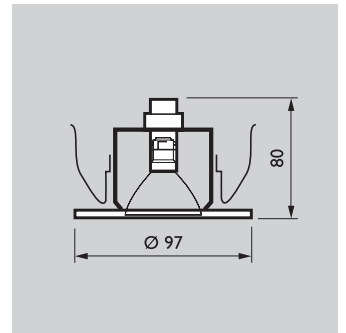
QBS570 GR



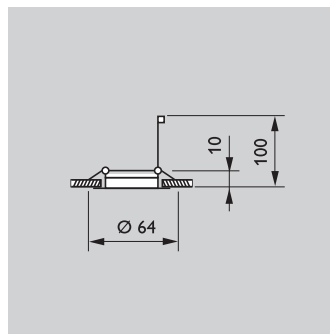
QBS560 GO



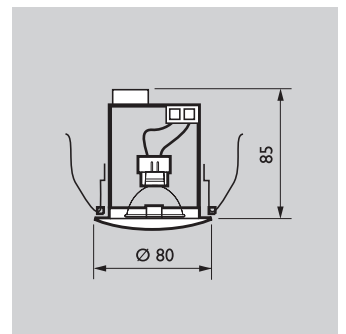
QBS651 WH



QBS566 WH



QBS230 CR



## Preferred selection

Product ID	Colour (see below)	Weight (kg)	European Order Code (EOC)
QBS570 1xHAL-MR50-45W 12V BR ALU	ALU	0.14	57323699
QBS570 1xHAL-MR50-45W 12V BR ANT	ANT	0.14	57327499
QBS570 1xHAL-MR50-45W 12V BR BK	BK	0.14	57324399
QBS570 1xHAL-MR50-45W 12V BR CR	CR	0.14	57321299
QBS570 1xHAL-MR50-45W 12V BR GO	GO	0.14	57322999
QBS570 1xHAL-MR50-45W 12V BR GR	GR	0.14	57326799
QBS570 1xHAL-MR50-45W 12V BR MAT	MAT	0.14	57325099
QBS570 1xHAL-MR50-45W 12V WH	WH	0.14	57336699
QBS570 1xHAL-MR50-45W 12V BR WH	WH	0.14	57320599
QBS570 1xHAL-MR50-45W K 230/12V CLI CR	CR	1.30	57401100
QBS570 1xHAL-MR50-45W K ET 230/12V ALU	ALU	0.30	57427100
QBS570 1xHAL-MR50-45W K ET 230/12V CR	CR	0.30	57425700
QBS570 1xHAL-MR50-45W K ET 230/12V GO	GO	0.30	57426400
QBS570 1xHAL-MR50-45W K ET 230/12V WH	WH	0.30	57424000
QBS570 1xHAL-R50W-GZ10 K 230V CLII WH	WH	0.20	57304500
QBS560 1xHAL-MR50-45W 12V BR CR	CR	0.11	56630699
QBS560 1xHAL-MR50-45W 12V BR GO	GO	0.11	40086099
QBS560 1xHAL-MR50-45W 12V BR WH	WH	0.11	40084699

ALU = Aluminium  
 ANT = Anthracite  
 BK = Black  
 CR = Chrome  
 GO = Gold  
 GR = Grey  
 MAT = Matt satin  
 WH = White

